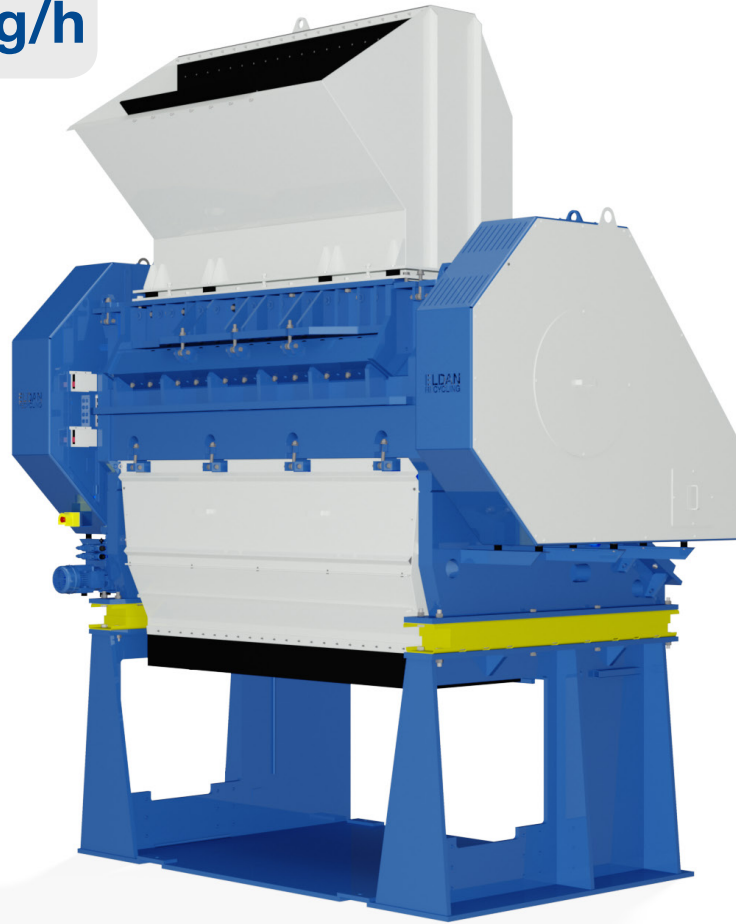


# ELDAN Multi Purpose Rasper

Up to 10.000 kg/h



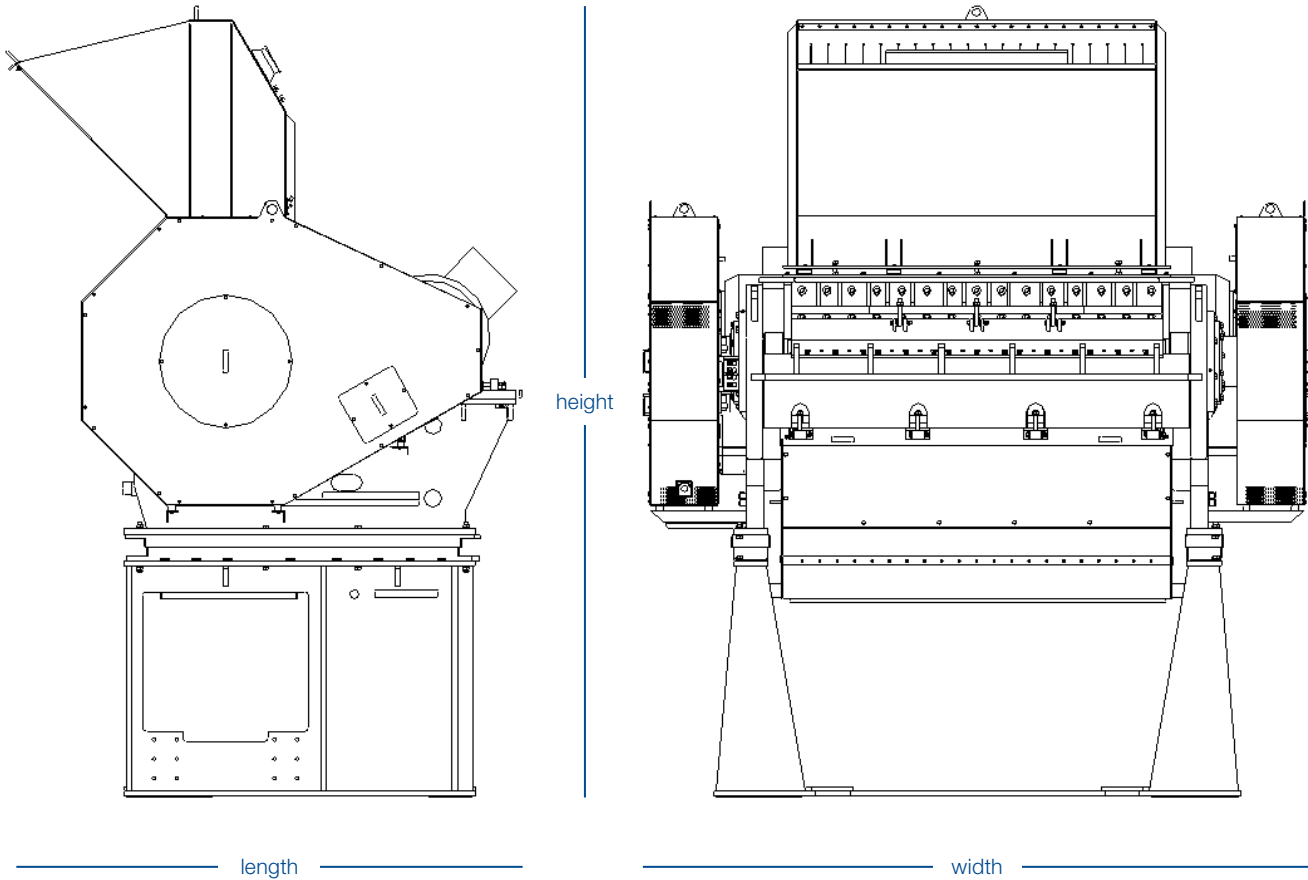
## MULTI PURPOSE RASPER

The ELDAN Multi Purpose Rasper is a heavy duty rasper for initial size reduction. It can be used for size reduction of materials like: tyres, steel cord cleaning, aluminium scrap (all types), cables, electronic and electrical waste (i.e. WEEE), refrigerators, industrial waste, oil filters, etc.

- The high inertia from the flywheel gives a more even load of the machine, and therefore a higher cutting power
- Friction clutches protect the machine from material overload
- The machine is belt driven for simple transmission
- Adjustable knife clearance optimizes the cutting function
- The knives can be reground multiple times on a "flat-bed" grinder ensuring long life and low operation costs
- The machine is designed for quick and easy change of knives and screens
- The rotor is manufactured and designed for minimum wear
- Screens with different hole sizes available for flexible production
- Exchangeable wear parts give you a virtually indestructible machine



# Multi Purpose Rasper



Specifications	MPR80	MPR120	MPR160	MPR200	Units (EN)
Rotor	800/32, 144	1200/48, 144	1600/64, 144	2000/80, 144	mm/in, rpm
Knives	8 flying, 11 static	15 flying, 16 static	20 flying, 21 static	25 flying, 26 static	pcs
Capacity*	Up to 5000/11000	Up to 7000/15000	Up to 8500/19000	Up to 10000/22000	kg/lbs per hour
Motor:	90, 750	132, 750	2 x 90, 750	2 x 110, 750	kW, rpm
Opening to cutting chamber	600x800 / 24x32	600x1200 / 24x48	600x1600 / 24x64	600x2000 / 24x80	mm/in
Weight	17000 / 37000	19000 / 42000	21000 / 46000	23000 / 50000	kg/lbs
Belt driven	Single	Single	Twin	Twin	
Length x width x height	2600x3000x4500 /104x120x180	2600x3000x4500 /104x120x180	2600x3400x4500 /104x136x180	2600x3800x4500 /104x152x180	mm/in

\* Depending on type of input material, method of feeding and screen size  
Standard voltage: 3 ph, 400 V, 50 Hz – for other voltages please contact our sales department

