

AXO WORKMATE SERIES SHREDDERS
Superior technology including the industries most advanced electric motor control brings the following benefits

- High throughput compared to other shredders with the same kW rating.
- Low Energy Consumption
- Ease of maintenance
- Service back-up 24/7

APPLICATIONS

Confidential document and product destruction, waste size reduction and plastic pre-granulation shredding are some of the common uses of AXO Shredding Machines. From in-house to contract Shredding Services, AXO is likely to have a model to suit your application.

15kW	WM408-08mm	30kW	WM608-16mm	74kW	WM832-16mm
	WM408-12mm		WM608-38mm		WM832-32mm
	WM408-16mm		WM432-12mm		WM1020-30mm

LOW DUST **LOW NOISE** **LOW ELECTRIC DEMAND**

Many features set the **AXO Workmate** design apart from other shredders-simplicity, efficiency and reliability are some of them. Couple these with service from factory trained AXO engineers for a total supply, installation and support package.



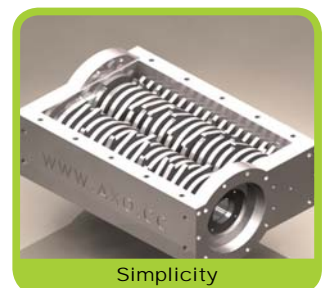
Service



Integration



Advanced Technology



Simplicity

 PO Box 12088 Wellington 6144 NZ / AUSTRALIA ☎ +64 4 499 3028 @ enquiries@axo.cc	 AXO Shredders Inc Unit 11, Kenneth Way Wilestead Industrial Park Wixams, Bedford MK45 3PD UK / EUROPE ☎ +44 1234 742400 ☎ +44 1234 742401 @ eurosales@axo.cc	 AXO Shredders Inc 525 Kaiser Drive Folcroft Philadelphia, PA 19032 USA / NORTH AMERICA ☎ +1 484 953 3580 ☎ +1 484 953 3586 @ usa@axo.cc	 789/52 Moo 1, Nong-Kham Sriracha, Chonburi, 20230 THAILAND ☎ +66 3834 8250-2 ☎ +66 3829 6292 @ thailand@axo.cc	 Room 1509, NO.76 R&F Ying Long Plaza Huang Pu Da Dao West Tianhe District Guangzhou ☎ 020 85277611 ext 901 @ china@axo.cc	 AXO Japan 1-23 Chuo 2 - Chome Jyoto Ku, Osaka JAPAN ☎ +81 6 6940 6677 ☎ +81 6 6940 3660 @ japan@axo.cc
---	---	---	---	---	--

PERFORMANCE

The cutter sequence, chamber size, shaft and knife geometry have been extensively tested and analysed to make the shredding process as efficient as possible.

AXO SHAFT DESIGN

Through being more robust than the shafts of hexagonal stacked shaft machines, the AXO one-piece design addresses shaft failures and the costs of new parts, lost production and business disruption. Many traditional shredders use knives stacked on a shaft, with torque nuts providing the stack tightness critical in supporting the shaft to protect against failure. The AXO one-piece cutter-shaft eliminates the need for torque nuts to provide this support, so reduces the incidence of shaft failure.

An AXO one piece shaft is so robust that AXO provide a guarantee against shaft breakage*. AXO has proven in the field that even when shredding contaminants such as heavy steel items AXO's design ensures that impact is limited to the cutter area. The shaft itself will stay intact - this means a faster return to service than other designs.

AXO SMOOTH-SHRED

All AXO Electric Shredders include "AXO SmoothShred" soft starter and current management technology. SmoothShred® was developed specifically for AXO by one of the worlds leading motor starter manufacturers to lessen shock loads incurred when bringing electric shredders on-line, and to reduce the incidence of shaft reversal.

POWER SUPPLY RESTRICTED?

In addition, through reducing current spikes, AXO's SmoothShred Technology and Dual Soft Starter System reduce the likelihood of problems being caused with power authorities. This means that if you have a low power supply capacity you may not be able to install a standard shredding machine, but you may be able to install an AXO Workmate.

MORE TORQUE

Using planetary gearboxes driving each shaft independently we transmit more torque per shaft than other designs. This also saves weight, brings greater throughput and eliminates shaft failure common with gear intermeshed shaft designs.

EASE OF SERVICE MAINTENANCE

AXO has incorporated access features with ease and speed of service in mind. We have focused on simplicity - we recognise that the people usually servicing the machines are Operators not Maintenance Engineers.

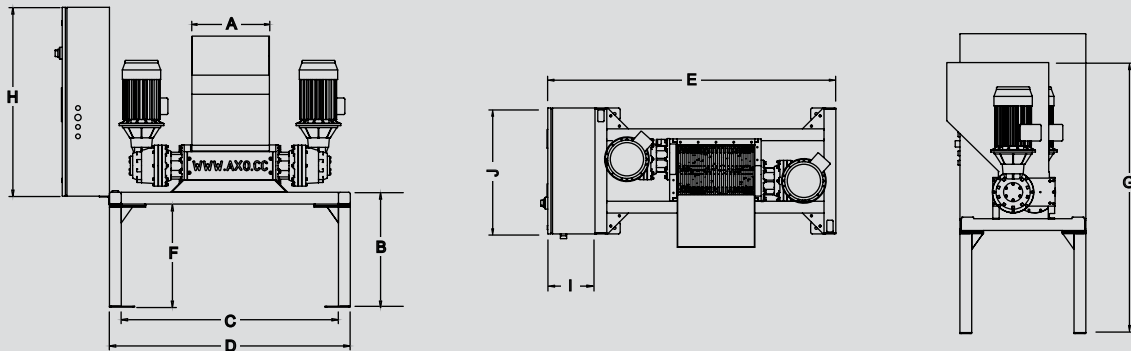
CE COMPLIANT

All AXO equipment meets OSH requirements and are CE certified.

NO SURPRISES

Some companies may accept a broken shaft - not AXO - our shafts are replaced only if the cutters are worn or suffered damage, at a time suitable to the customer and programmed into production. There are no sudden surprises! Often the main cost of replacing broken shafts is not the parts, but the labour and the time your machine is inoperable. AXO one piece shafts are quick and simple to replace compared with competitor machines.

DIMENSIONS (METRIC / IMPERIAL)



Model	Units	A	B	C	D	E	F	G	H	I	J	kw/HP	Cutter Width	Weight	Throughput Rate**
WM408E	Metric	408	860	1350	1450	1750	760	1825	1200	250	800	2x7.5kw	8 / 12/16mm	900kg	800kg/hr - 1200kg/hr
	Imperial	1'4"	2'9"	4'5"	4'9"	5'8"	2'5"	5'11"	3'11"	11 13/16"	1'1"	2x10hp	5/16" 1/2" 5/8"	1,984 lb	1,750 lb/hr - 2,650 lb/hr
WM432E	Metric	432	730	1380	1530	1830	655	1810	1200	300	800	2x15kw	12mm	1020kg	up to 2000kg/hr
	Imperial	1'5"	2'4"	4'6"	5'	6'	2'1"	5'10"	3'11"	11 13/16"	2'7"	2x20hp	1/2"	2,249 lb	up to 4,400 lb/hr
WM608E	Metric	608	1380	1380	1530	1830	655	1810	1200	300	800	2x15kw	16 / 38mm	1200kg	up to 2500kg/hr
	Imperial	1'11"	2'4"	4'6"	5'	6'	2'1"	5'10"	3'11"	11 13/16"	2'7"	2x20hp	5/8" 1 1/2"	2,646 lb	up to 5,500 lb/hr
WM832E	Metric	832	1750	1750	2000	2500	810	2200	1200	300	800	2x3.75kw	16 / 32mm	2500kg	up to 4000 / 5000kg/hr
	Imperial	2'8"	3'1"	5'8"	6'6"	8'2"	2'7"	7'2"	3'11"	11 13/16"	2'7"	2x50hp	5/8" 1 1/4"	5,512 lb	up to 8,800 / 11,00 lb/hr
WM1020E	Metric	1020	1626	1626	2000	2500	810	2350	1200	300	800	2x3.75kw	30mm	2750kg	up to 6000kg/hr
	Imperial	3'4"	3'1"	3'1"	6'6"	8'2"	2'7"	7'8"	3'11"	11 13/16"	2'7"	2x50hp	1 3/16"	6,063 lb	up to 13,20 lb/hr

* When shredding waste office paper

** Throughput figures vary according to feed method product type being shredded and other processing equipment. AXO Shredders Ltd does not guarantee throughput rates at any particular plant. Throughput figures shown are based on actual throughput rates achieved in the field however variable factors mean these rates cannot always be sustained.



15kW	WM408-08mm
	WM408-12mm
	WM408-16mm

30kW	WM608-16mm
	WM608-38mm
	WM432-12mm

74kW	WM832-16mm
	WM832-32mm
	WM1020-30mm